


# Venu 1748V Full Spine, Tethered, Cassette-size Flat Panel Detector



## AT a Glance

- ✓ Complete full spine image acquisition in a single exposure
- ✓ 139  $\mu\text{m}$  pixel pitch, with 16 bit ADC for more image detail
- ✓ Stable iSync+ Automatic Exposure Detection (AED)
- ✓ Supports a fast and efficient workflow
- ✓ Removable handle

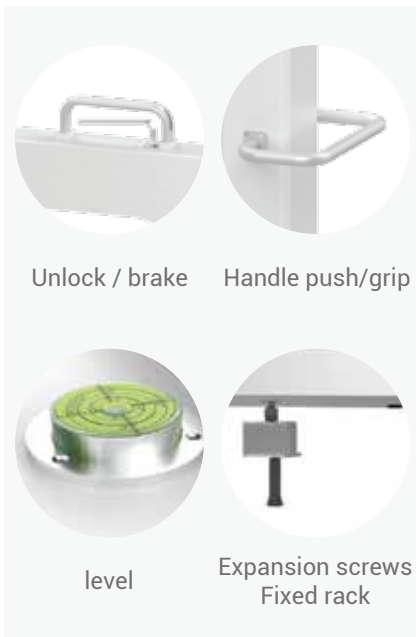
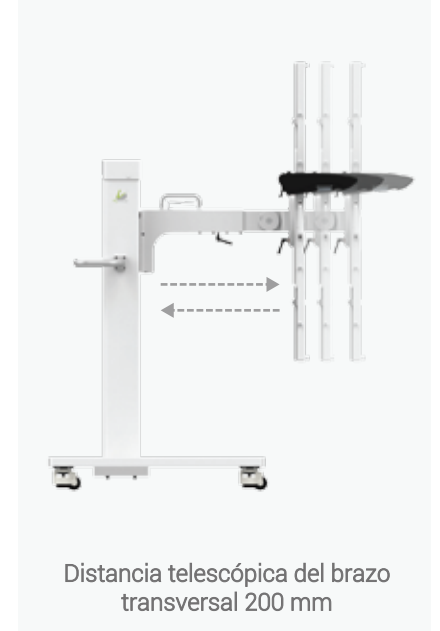
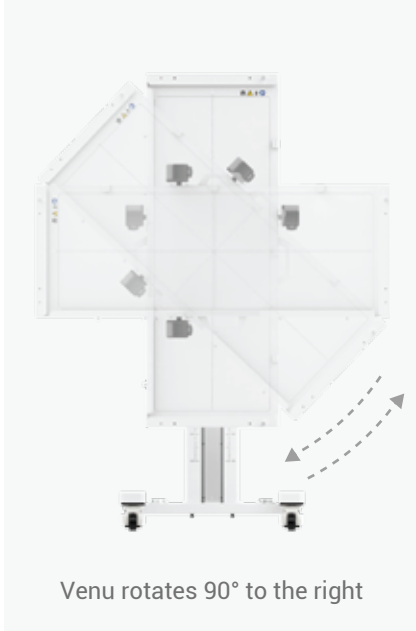
## For More Information Contact

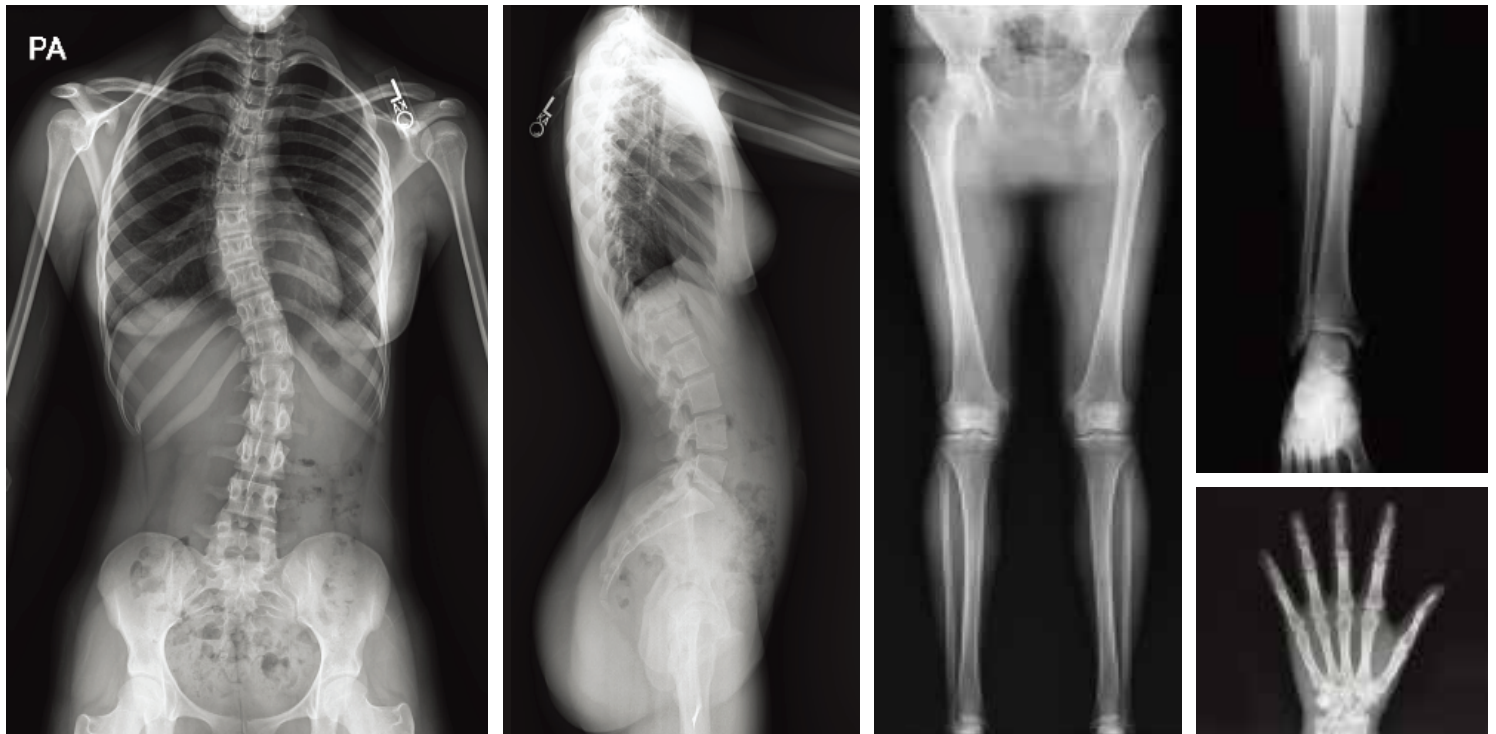
 Biomedical Equipment Corp. 10421 NW 28<sup>TH</sup> ST STE  
D102, DORAL, FL 33172, USA

 1-305-463-9447  [info@4biomed.com](mailto:info@4biomed.com)  [www.4biomed.com](http://www.4biomed.com)



# Full Spine Stand Features



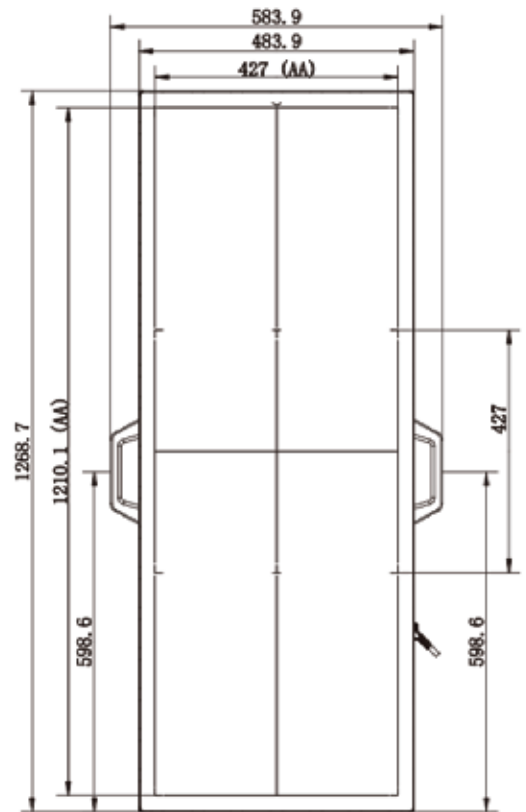
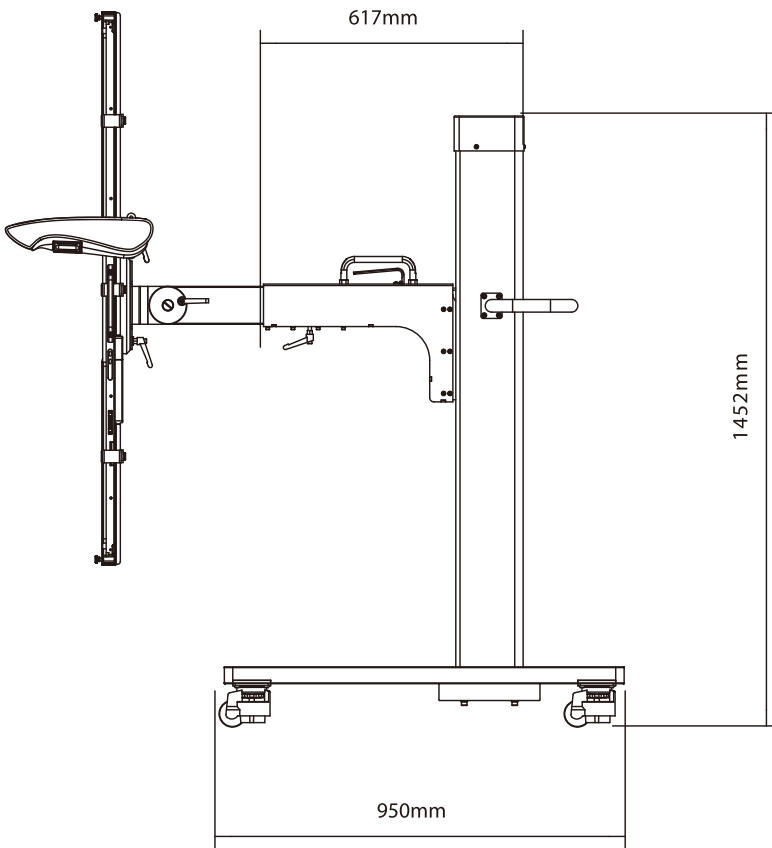


## Venu 1748V Specifications

<b>Detector Technology</b>	Amorphous Silicon	<b>Full Image Time (s)</b>	8
<b>Scintillator</b>	CsI	<b>Dimension (mm)</b>	1271 × 487 × 21
<b>Active Area (inch)</b>	17 × 48	<b>Weight (kg)</b>	16
<b>Pixel Matrix</b>	3064 × 8696	<b>Operating Temperature (°C)</b>	5-35
<b>Pixel Pitch (µm)</b>	139	<b>Storage &amp; Transport Temperature with Package (°C)</b>	-20-55
<b>Spatial Resolution (lp/mm)</b>	3.6		
<b>AD Conversion (bit)</b>	16	<b>Operating Humidity (% RH)</b>	10-90 (Non-Condensing)
<b>Power Dissipation (W)</b>	27 (Without battery)		
<b>Data Interface</b>	GigE/WiFi(option)		
<b>Trigger Mode</b>	AED / Software	<b>Storage &amp; Transport Humidity with Package (% RH)</b>	5-95 (Non-Condensing)
<b>Preview Image Time (s)</b>	3		

# Stand Specifications

<b>Rack Size</b>	950 x 680 x 1452mm
<b>Cross Arm Range of Motion</b>	350-1350mm
<b>Horizontal Arm Telescopic</b>	200mm
<b>Venu Armrests</b>	Level: 100mm up and down adjustment / Rotation: 90 degrees
<b>Venu Rotation</b>	Front and back : Rotate 90° upward / Right: 90°



\* This document cannot be considered to be a contractual specification. The information given herein may be modified without notice.

## For More Information Contact



Biomedical Equipment Corp. 10421 NW 28<sup>TH</sup> ST STE  
D102, DORAL, FL 33172, USA



1-305-463-9447



info@4biomed.com



www.4biomed.com

